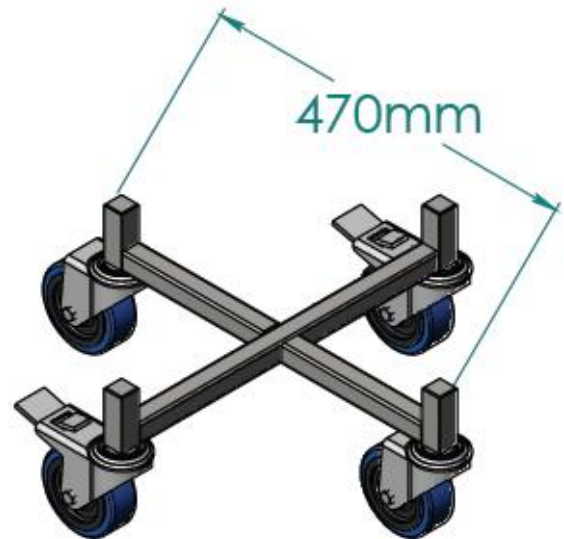


Part No.	675 A384420	
Description	Drum Trolley (for drums up to 420mm diameter)	
Material of Construction:	Frame:	304 stainless steel
	Wheel Mounts:	304 stainless steel
	Wheels:	Polyamide



Method of Construction:	Frame - welded
Surface Finish:	Brush finish
Max. Frame Width:	470mm
Deck Height	135mm
Nominal Weight:	6.8kg
Notes:	<ul style="list-style-type: none"> - All four wheels are able to swivel - Two wheels are fitted with brakes