

# Product Specification

Specification Number

675 A926300

Revision

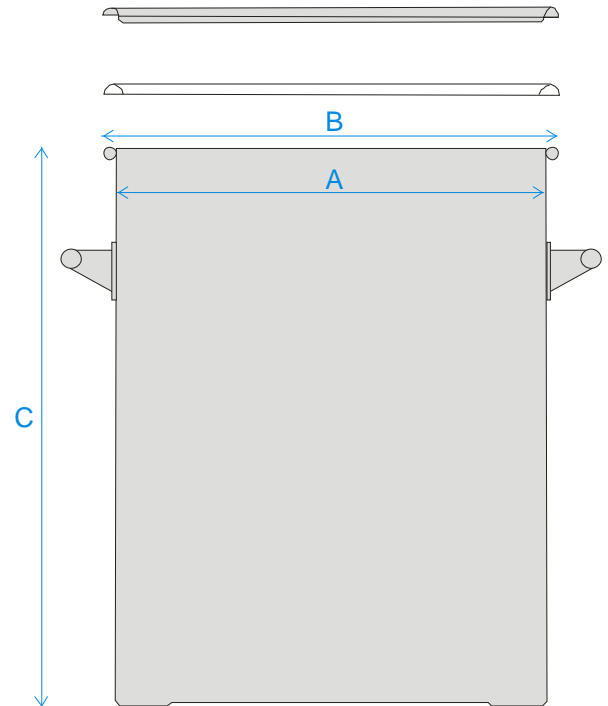
01

Part No. 675 A926300

Description Toggle Drum 300L

Materials of Construction:

- Body: 316 stainless steel
- Lid: 316 stainless steel
- Toggles: 304 stainless steel
- Handles: 304 stainless steel
- Gasket: Silicone (FDA 177.2600 and USP Class VI compliant)



Nominal Volume: 300 Litres

Brimful Volume: 310 Litres

Method of Construction: Welds ground and polished

Surface Finish: Better than 0.5 microns Ra

Dimensions  
 A = 710 mm  
 B = 730 mm  
 C = 800 mm

Graduation Marks: None

Handles: 2 side handles welded onto patch plates

Number of Toggles: 6

Weight: 32.7 Kg (body + gasket + lid)